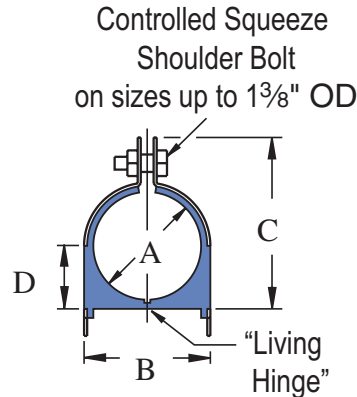
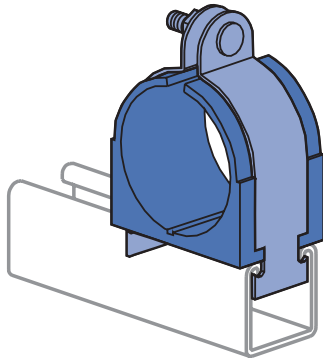




004T008 THRU 098N106, 009N012 THRU 106N114

CUSH-A-CLAMP® ASSEMBLY



Materials:

Clamp: Electro-galvanized or stainless steel.
 Cushion: Thermoplastic elastomer. (UV Resistant)

Includes cushion, clamp and hardware.

Temperature Rating:
 -50°F to +275°F (-45°C to +135°C)

Insert Width: 1.56" (39.6)

Patent Numbers: 4,516,296; 4,934,635

Part Numbers are "coded" to designate cushion size and clamp size. Examples:

- 004T008** 004 - Cushion Size 1/16" (6.4)
 T - With Controlled Squeeze Shoulder Bolt
 Available on sizes up to 1 3/8"
- 008 - Clamp Size 9/16" (12.7)
- 009N012** 009 - Cushion Size 9/16" (14.3)
 N - With Standard Bolt
- 012 - Clamp Size 1 1/4" (19.1)

Pipe Series Assembly

Part No.	Nominal Pipe Size	Dimensions				Wt/100 pcs Lbs(kg)
		"A" In(mm)	"B" In(mm)	"C" In(mm)	"D" In(mm)	
009N012	1/4	0.54 14	0.98 25	1.34 34	0.43 11	13 5.9
011N014	3/8	0.67 17	1.13 29	1.54 39	0.49 12	14 6.4
014N018	1/2	0.84 21	1.29 33	1.82 46	0.58 15	15 6.8
017N022	3/4	1.05 27	1.50 38	1.95 50	0.70 18	17 7.7
021N026	1	1.31 33	1.76 45	2.34 59	0.81 21	19 8.6
027N032	1 1/4	1.66 42	2.17 55	2.73 69	0.99 25	35 15.9
030N034	1 1/2	1.90 48	2.35 60	2.86 73	1.09 28	39 17.7
038N044	2	2.37 60	2.82 72	3.67 93	1.41 36	49 22.2
046N052	2 1/2	2.87 73	3.32 84	4.17 106	1.66 42	57 25.9
056N062	3	3.50 89	3.95 100	4.79 122	1.97 50	55 24.9
064N072	3 1/2	4.00 102	4.45 113	5.42 138	2.28 58	88 39.9
072N080	4	4.50 114	4.95 126	5.92 150	2.53 64	110 49.9
089N096	5	5.56 141	6.01 153	6.92 176	3.06 78	130 59.0
106N114	6	6.62 168	7.07 180	8.23 209	3.59 91	140 63.5

MATERIAL

Unistrut pipe clamps, unless noted, are punch-press made from hot-rolled, pickled and oiled steel plates, strip or coil, and conform to ASTM specifications A1008, A575, A576, A635, or A36. The fitting steel also meets the physical requirements of ASTM A1011 SS GR 33. The pickling of the steel produces a smooth surface free from scale.

Many items are also available in stainless steel.

Consult factory for ordering information.

FINISHES

Pipe supports are available in:

- Electro-galvanized (EG), conforming to ASTM B633 Type III SC1
- Hot-dipped galvanized (HG), conforming to ASTM A123 or A153 (hardware)
- Perma-Green III (GR), and plain (PL).

<p>Project: _____</p> <p>Architect / Engineer: _____</p> <p>Date: _____ Phone: _____</p> <p>Contractor: _____</p> <p>Address: _____</p> <p>_____</p> <p>Notes 1: _____</p> <p>_____</p> <p>Notes 2: _____</p> <p>_____</p>	<p>Approval Stamp:</p>
--	---



Tube Series Assembly

Part Number	Copper & Steel Tube O. D. Size	Copper Water Pipe (Nominal)	Dimensions				Wt/100 pcs Lbs/(kg)
			"A" In(mm)	"B" In(mm)	"C" In(mm)	"D" In(mm)	
004T008	1/4		0.25 6	0.62 16	0.98 29	0.27 7	10 4.5
006T010	3/8	1/4	0.37 9	0.82 21	1.13 29	0.33 8	11 5.0
008T012	1/2	3/8	0.50 13	0.94 24	1.34 34	0.40 10	13 5.9
010T014	5/8	1/2	0.62 16	1.06 27	1.54 39	0.46 12	14 6.4
012T016	3/4	5/8	0.75 19	1.20 31	1.68 43	0.52 13	14 6.4
014T018	7/8	3/4	0.87 22	1.31 33	1.82 46	0.58 15	15 6.8
016T020	1		1.00 25	1.44 37	1.95 50	0.65 17	17 7.7
018T022	1 1/8	1	1.12 28	1.57 40	2.08 53	0.70 18	18 8.2
020T024	1 1/4		1.25 32	1.70 43	2.21 56	0.77 20	18 8.2
022T026	1 3/8	1 1/4	1.37 35	1.82 46	2.34 59	0.83 21	20 9.1
024N028	1 1/2		1.50 38	1.95 50	2.47 63	0.90 23	33 15.0
026N030	1 5/8	1 1/2	1.62 41	2.07 53	2.60 66	0.96 24	35 15.9
028N032	1 3/4		1.75 45	2.20 56	2.73 69	1.02 26	37 16.8
030N034	1 7/8		1.90 48	2.35 60	2.86 73	1.09 28	39 17.7
032N036	2		2.00 51	2.45 62	3.04 77	1.15 29	46 20.9
034N040	2 1/8	2	2.12 54	2.57 65	3.23 82	1.27 32	47 21.3
038N044	2 3/8		2.37 60	2.82 72	3.67 93	1.41 36	49 22.2
040N046	2 1/2		2.50 64	2.94 75	3.79 96	1.46 37	51 23.1
042N048	2 5/8		2.62 67	3.07 78	3.92 100	1.53 39	55 24.9
046N052	2 7/8		2.87 73	3.32 84	4.17 106	1.66 42	57 25.9
050N054	3		3.00 76	3.57 91	4.42 112	1.78 45	60 27.2
050N056	3 1/8		3.12 79	3.57 91	4.42 112	1.78 45	60 27.2
053N060	3 5/16		3.31 84	3.96 101	4.75 121	1.90 48	62 28.1
056N062	3 1/2		3.50 89	3.95 100	4.79 122	1.97 50	55 24.9
058N064	3 5/8		3.62 92	4.20 107	4.99 127	2.03 52	70 31.8
064N072	4		4.00 102	4.45 113	5.42 138	2.28 58	88 39.9
066N074	4 1/8		4.12 105	4.57 116	5.54 141	2.34 59	94 42.6
069N076	4 5/16		4.34 110	4.96 126	5.84 148	2.40 61	100 45.4
072N080	4 1/2		4.50 114	4.95 126	5.92 150	2.53 64	110 49.9
082N090	5 1/8		5.12 130	5.57 142	6.54 166	2.84 72	125 56.7
098N106	6 1/8		6.12 155	6.57 167	7.54 192	3.34 85	130 59.0